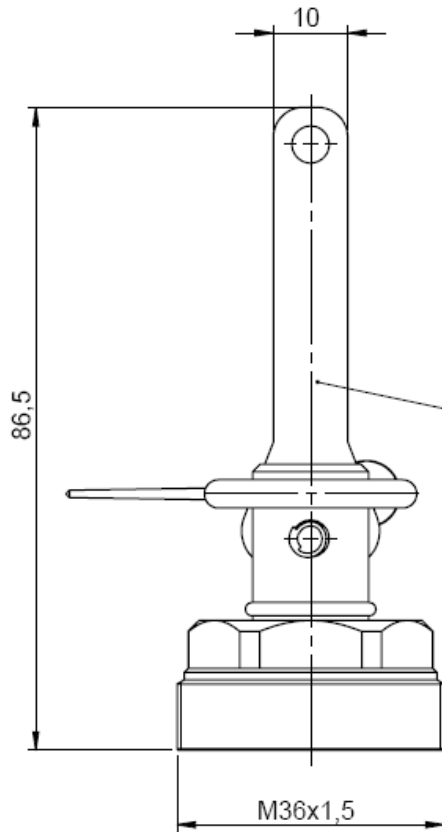
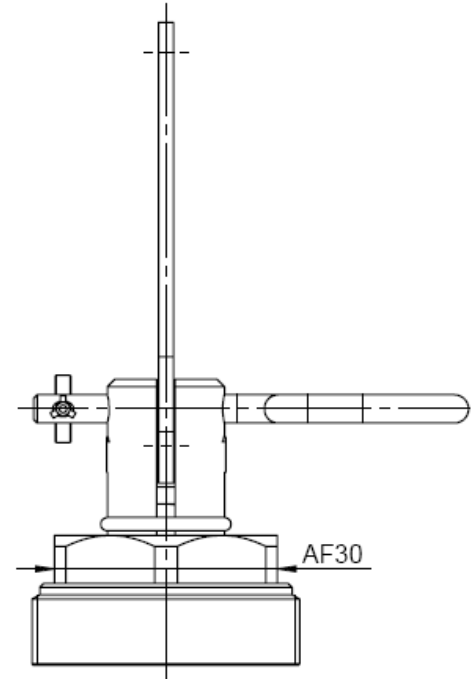


MANUAL ACTUATOR

AEX-INAM



Mark:
 Reference: F1120005
 Date of production: AAAA/MM
 Sign of production: Flame
 Torque: 25Nm ±2



Especifications	
Name	Value
Weight	167 g
Body	Brass



Av. Alfonso Peña Boeuf, 6 y 9
 28022 MADRID - ESPAÑA
 TEL: +34 913121656
 FAX: +34 913295820

DATA SHEET
 MANUAL ACTUATOR

Description: Device used to produce the manual release of the cylinder.

Sheet code:	Solution sheet:	Reference:	Drawn:	Date:	Revised:	Date:	Revision:	Format:
AEX-FTC-09-001	IG-55	AEX-INAM	DCM	27/08/2015	MRC	27/08/2015	1	A4

Nota: Aguilera Extinción S.L. reserves the right to modify without notice any data or specification reflected in this document.